

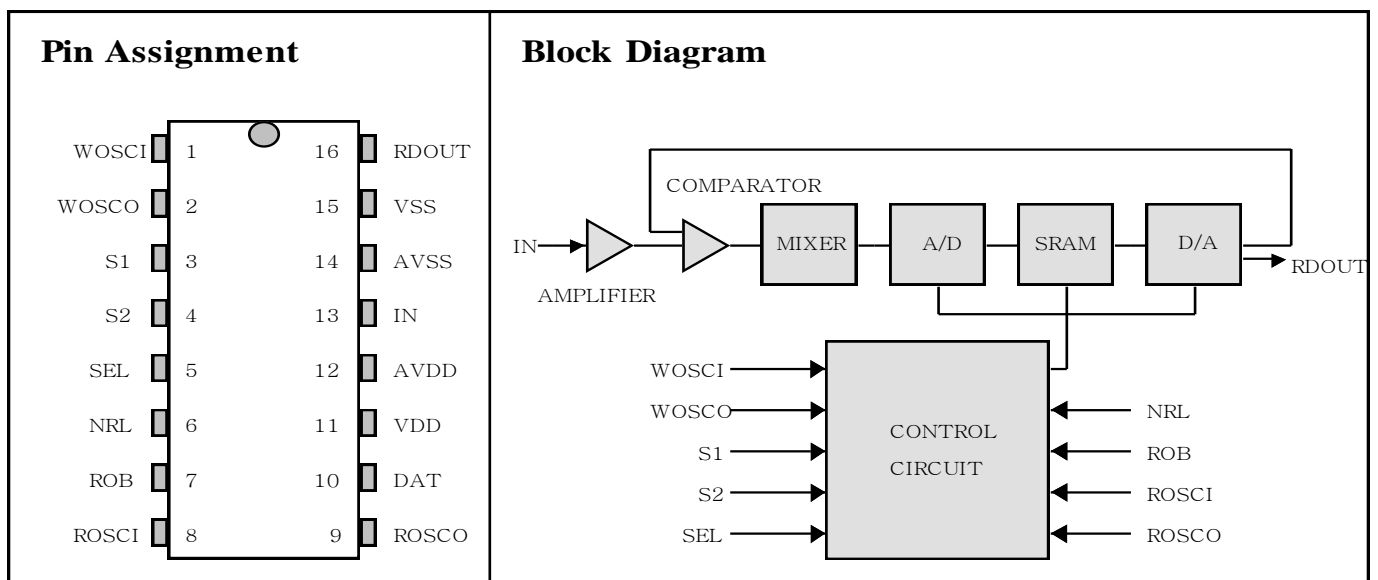
### 1. Feature:

**EC8072 录变音 IC**

- Wide operating voltage range 3.0V to 5.0V
- Low power consumption
- Several voice effects selectable:
  - ◇ Transposing voice (higher or lower)
  - ◇ Amplifying voice
  - ◇ Robot voice
- Variable resistor or switch can be used to adjust the transposed-voice effect
- External memory is not required
- Build-in reduction noise circuit and silence function
- For application in toys, masks, telephone systems and other voice fields

### 2. General Description:

The EC8072 is a single-chip CMOS LSI designed for voice changer, which can transpose or distort one voice into another voice by encoding the input audio signals in normal speed and transmit the output audio signals with unusual speed. That is accomplished by sampling the input audio signals into digital signals and re-arranging the digital signals to generate different voice from the user's normal voice. The EC8072 includes microphone amplifier to amplify voice signal and noise reduction circuit for reducing environment noise.



### 3. Electrical Characteristics:

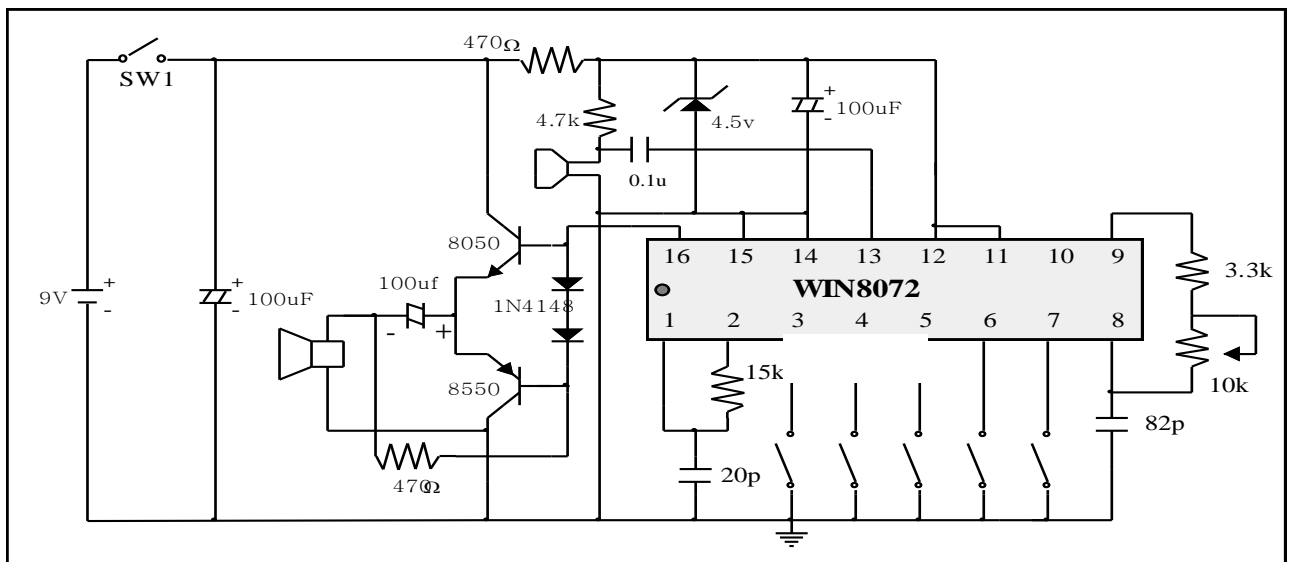
Parameter	Symbol	Min.	Typ.	Max.
Operating Voltage	VDD	3.0V	4.5V	5.0V
Operating Current	IDD	--	--	10mA
Input Voltage of Signal	VINp-p	0.5V	1.5V	2.0V
Output Voltage of Signal	VOUtp-p	--	1.6V	--

## 4. Pin Description:

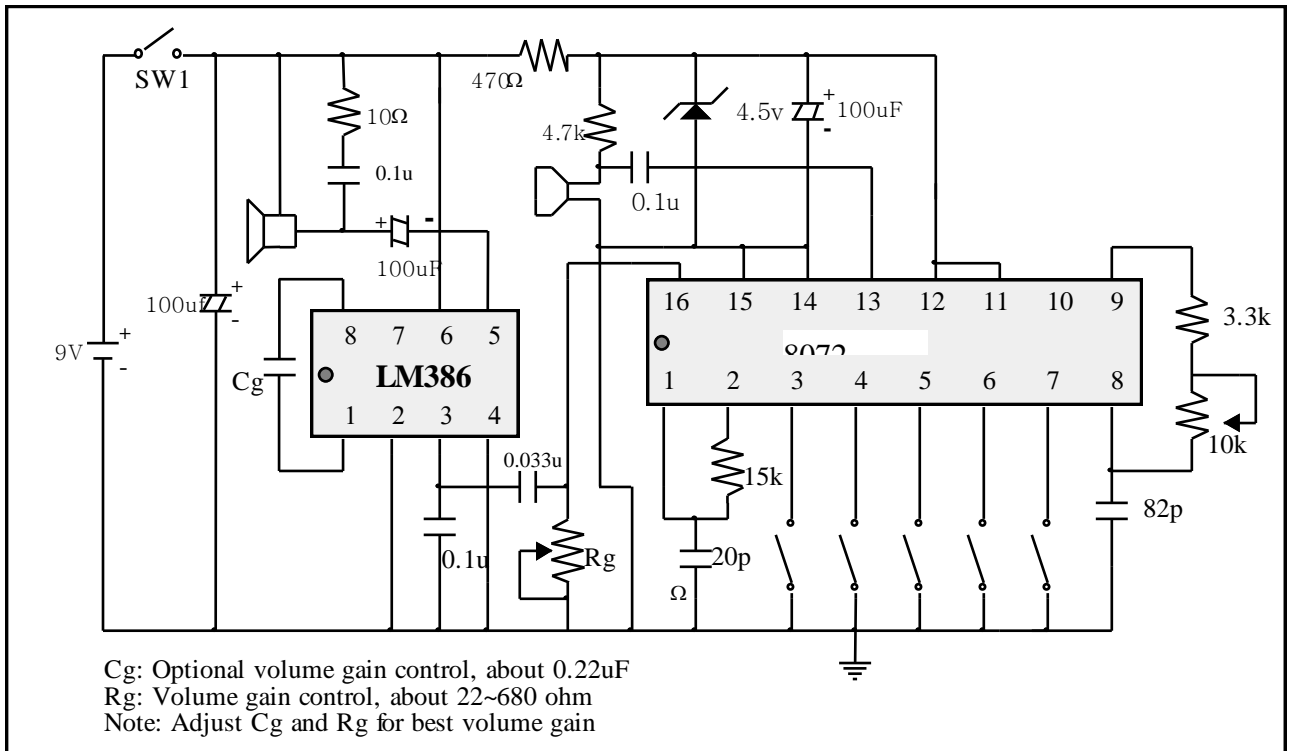
No.	Designation	Description															
1	WOSCI	Write (sampling) oscillator input pin															
2	WOSCO	Write (sampling) oscillator output pin															
3,4	S1,S2	Tone frequency of voice output select pins															
		<table border="1" style="margin-left: auto; margin-right: auto;"> <tr> <td>S1</td> <td>0</td> <td>0</td> <td>1</td> <td>1</td> </tr> <tr> <td>S2</td> <td>0</td> <td>1</td> <td>0</td> <td>1</td> </tr> <tr> <td>Tone freq.</td> <td>800Hz</td> <td>1333Hz</td> <td>660Hz</td> <td>2KHz</td> </tr> </table>	S1	0	0	1	1	S2	0	1	0	1	Tone freq.	800Hz	1333Hz	660Hz	2KHz
		S1	0	0	1	1											
S2	0	1	0	1													
Tone freq.	800Hz	1333Hz	660Hz	2KHz													
* Input Frequency: 1KHz																	
5	SEL	The voice effect are adjusted by variable resistor if the pin connect to GND															
6	NRL	Amplifying voice effect is selected if this pin is connected to GND Transposing voice effect is selected if this pin is floating															
7	ROB	Robot voice effect is selected if this pin is connected to GND															
8	ROSCI	Read (re-arranging) oscillator input pin															
9	ROSCO	Read (re-arranging) oscillator output pin															
10	DAT	For testing only															
11	VDD	Positive power supply															
12	AVDD	Analog positive power supply															
13	IN	Audio signal input pin															
14	AVSS	Analog negative power supply															
15	VSS	Negative power supply															
16	RDOUT	Audio signal output pin															

## 5. Application Circuit:

### ➤ Variable resistor adjusting with transistor amplifier



### ➤ Variable resistor adjusting with LM386 amplifier:



### 6. Bonding Diagram:

